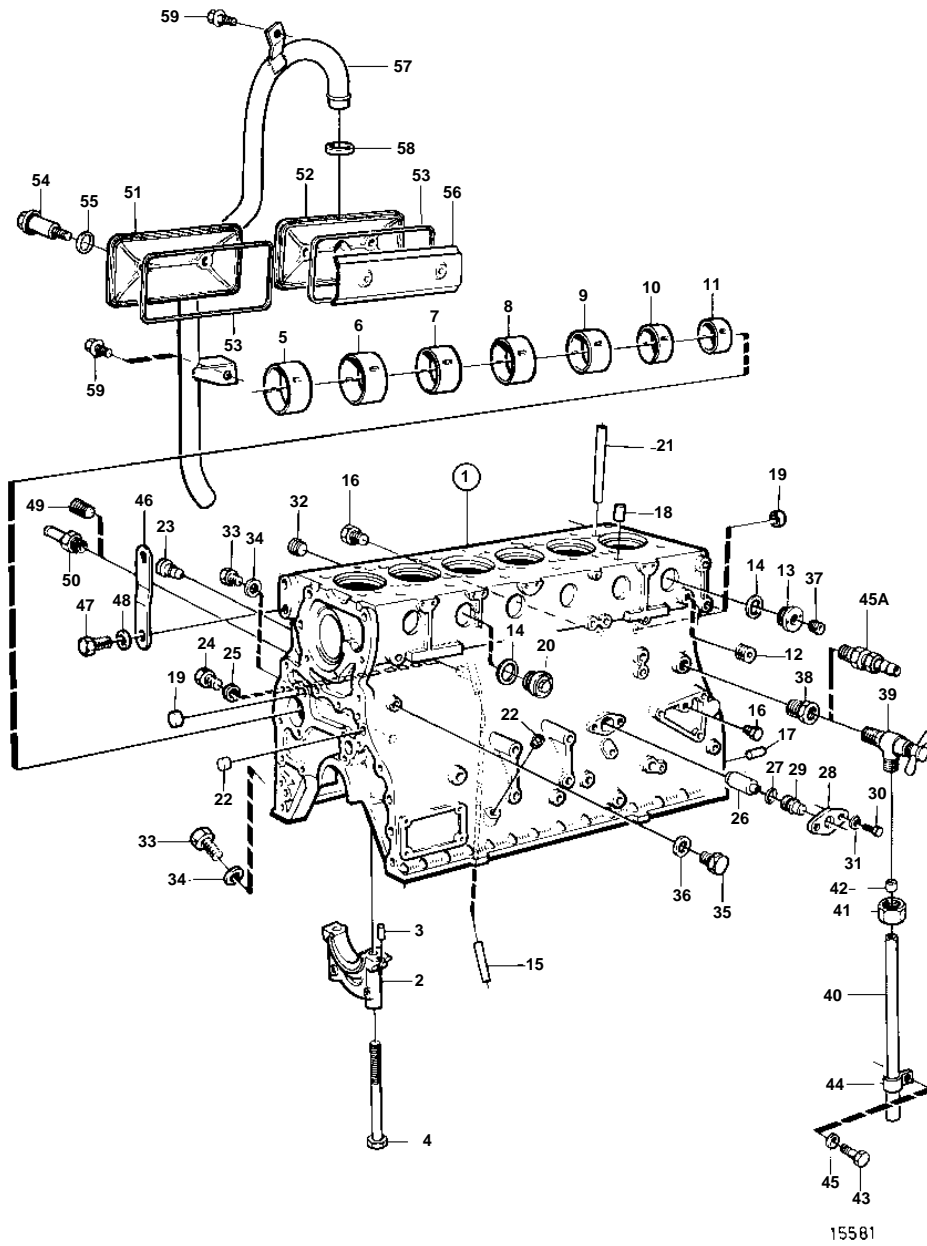


TD100G-87



TD100G-87

REF	PART NO.	QTY	DESCRIPTION	NOTES
1	422960	1	Cylinder block	REPLACED BY 479650
2		7	· Bearing cap	
3	422426	1	· Pin	
4	422067	14	· Screw	
5	422076	1	· Bushing, camshaft	
6	422077	1	· Bushing, camshaft	
7	422078	1	· Bushing, camshaft	
8	422079	1	· Bushing, camshaft	
9	422080	1	· Bushing, camshaft	
10	422081	1	· Bushing, camshaft	
11	422082	1	· Bushing, camshaft	
12	952075	1	· Plug, 1/4-NPTF	
13	821335	1	· Plug	
14	469328	7	· Gasket	
15	468563	1	· Pipe	
16	191026	7	· Plug, 1/8-NPTF	
17	191171	2	· Pin	
18	950543	12	· Pin	
19	955083	2	· Cap plug	
20	467367	5	· Plug	
21		1	· Pipe	
22	955082	4	· Cap plug	
23	422369	2	· Plug	
24		1	· Plug, 9/16-UNF	
25	969011	1	· Gasket	
26	424801	1	· Pipe	
27	949657	1	· O-ring	
28	424714	1	· Flange	
29	424715	1	· Plug	
30	955513	2	· Screw	
31	941906	2	· Spring washer	
32	952075	1	Plug, 1/4-NPTF	
33	948187	2	Plug, 3/4-UNF	
34	18818	2	Gasket	
35	180761	1	Plug	
36	11996	1	Gasket	
37	479977	1	Plug	
38	479954	1	Nipple	(190130)
39	479970	1	Tap	(820436)EARLY TYPE
40	821889	1	Tube	EARLY TYPE
41	954357	1	Cap nut	EARLY TYPE
42	954365	1	Fitting	EARLY TYPE
43	940133	1	Screw	EARLY TYPE
44	942400	1	Clamp	EARLY TYPE
45	940097	1	Washer	EARLY TYPE
45A	949918	1	Drain cock	LATE TYPE
46		1	Lifting eye	
47	955561	2	Screw	
48	940280	2	Spring washer	
49	479977	1	Plug, 1/2-NPTF	
50	961654	1	Nipple, air compr.	
51	423120	2	Inspection cover	
52	423121	1	Inspection cover, crankcase vent.	
53	469823	3	Gasket	
54	422541	6	Screw	
55	471856	6	Sealing ring	
56	422542	1	Splash plate	
57	467090	1	Tube, crankcase vent.	STD
58	421158	1	Sealing ring	
59	942402	2	Flange screw	